

Compressor Solenoid Valve S5079 Series (G1/8", G1/4")

GENERAL FEATURES

- Wide pressure range, flow rate and orific options.
- Solenoid valves are used with filters.
- Solenoid valves can be mounted in any position without affecting its operation.
- Coil to be used in a vertical position.
- TORK series S5079 direct acting plate mounting compressor solenoid valves are 2/2 way, normally closed and have small body size.
- Without manual override, for small body (1/8" and 1/4"), square type body and easy installation

Working temperature: -10°C / +160°C

- On request; manuel override
- Don't require any differential pressure.
- On request; solenoid valve can have 4 mounting holes at the bottom of the body.

ELECTRICAL CHARACTERISTICS

| | |
|--------------------------|--|
| Continuous Duty | : ED %100 |
| Coil Insulation Class | : H (180°C)(IEC 85) |
| Coil Impregnation | : Polyester Fiber Glass |
| Ambient Temperature | : -10°C, +60°C |
| Protection Degree | : IP65 (ISO 60529) On request; IP68 |
| Electric Plug Connection | : DIN 46340 3-Poles Connector (DIN 43650) |
| Connector Specification | : ISO 4400 / EN 175301-803 Form A, Spade Plug (Cable Ø6-8 mm) |
| Electrical Safety | : IEC 335 |
| Standard Voltages | : AC 12V 15VA, 24V 15VA, 48V 15VA, 230V 15VA, 230V 24VA DC 12V 18W, 24V 18W, 48V 18W, 110V 18W |

On request other voltages

| | |
|--------------------|------------------------------|
| Voltages Tolerance | : AC -15%, +10% DC -5%, +10% |
| Frequency | : 50 Hz (60 Hz...) |

On request; Connector with LED, PWM Socket Specify coil voltage with order

MATERIALS IN CONTACT WITH FLUID

| | |
|----------------------------|-----------------------|
| Body | : Brass |
| Internal Parts | : Stainless Steel |
| Sealing | : VITON |
| Shading Ring | : Copper (EN 12735-1) |
| Seats, Core Tube, Springs: | Stainless Steel |

OPTIONS

- Female connection: BSP; (On request NPT)
- On request CR-Ni plated, PTFE coated done
- On request Atex (exproof) coil.

TECHNICAL FEATURES

| | |
|----------------|--|
| Max. Viscosity | : 5°E (-37cST veyaa mm²/s) |
| Response Time | : Opening time : 30 ms Closing Time : 30 ms |

SEALS FEATURES

| | |
|-------|------------------|
| NBR | : -10°C...+80°C |
| EPDM | : -10°C...+130°C |
| VITON | : -10°C...+160°C |
| PTFE | : -10°C...+180°C |
| RUBY | : -10°C...+160°C |

STANDARDS

- Standard tube connection G (BSP) (ISO 228-1) and other tube connections (NPT (ANSI 1.20.3)) are available on request.
- TORK solenoid valves 97/23/EC, are available for pressure equipment directive (PED) and 2006/95/ECC low voltage directive (LVD).

Not: Please look catalogues for more details



NORMALLY CLOSED

2/2 WAY

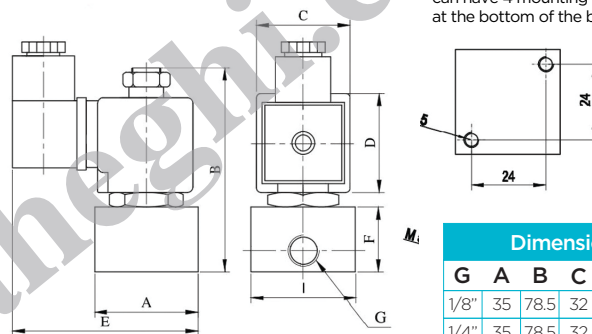
DIRECT ACTING

$\Delta P=0$



COMPRESSOR

On request; solenoid valve can have 4 mounting holes at the bottom of the body.



Dimensions (mm)

| | G | A | B | C | D | E | F | I |
|------|----|------|----|----|----|------|----|---|
| 1/8" | 35 | 78,5 | 32 | 39 | 68 | 26,5 | 35 | |
| 1/4" | 35 | 78,5 | 32 | 39 | 68 | 26,5 | 35 | |

| Coils | Nominal Values | Cold/ Hot | Inrush | Holding | Current (A) | Surface Temperature (°C) |
|---------------|----------------|-----------|--------|---------|-------------|--------------------------|
| C40012VDC18W | 12VDC 18W | COLD | 19,56 | 19,56 | 1,63 | 20 |
| | | HOT | 14,52 | 14,52 | 1,21 | 106 |
| C40024VDC18W | 24VDC 18W | COLD | 20,88 | 20,88 | 0,87 | 25 |
| | | HOT | 14,64 | 14,64 | 0,61 | 116 |
| C40110VDC18W | 110VDC 18W | COLD | 19,96 | 19,96 | 0,18 | 23 |
| | | HOT | 13,56 | 13,56 | 0,123 | 115 |
| C40012VAC15VA | 12VAC 15VA | COLD | 23,81 | 16,43 | 1,3 | 25 |
| | | HOT | - | 15,86 | 1,262 | 79 |
| C40024VAC15VA | 24VAC 15VA | COLD | 25,82 | 15,02 | 0,62 | 22 |
| | | HOT | - | 13,91 | 0,57 | 81 |
| C40110VAC15VA | 110VAC 15VA | COLD | 30,65 | 15,17 | 0,137 | 24 |
| | | HOT | - | 13,96 | 0,126 | 80 |
| C40230VAC15VA | 230VAC 15VA | COLD | 31,4 | 15,64 | 0,068 | 25 |
| | | HOT | - | 14,41 | 0,063 | 80 |
| C40230VAC24VA | 230VAC 24VA | COLD | 45,1 | 23,92 | 0,0154 | 23 |
| | | HOT | - | 21,62 | 0,0154 | 100 |

| Solenoid Valve Symbol | Valve Type/ Order No | Connection Size | Orifice Size | Pressure min/max | Kv | Seal | Weight |
|-----------------------|----------------------|-----------------|--------------|------------------|-------|-------|--------|
| | S5079 | G | mm | Bar Bar | Lt/dk | VITON | kg |
| | A5079.00.018 | 1/8" | 1.8 | 0 12 | 1.6 | ✓ | 0,51 |
| | A5079.00.025 | 1/8" | 2.5 | 0 10 | 3.2 | ✓ | 0,51 |
| | A5079.00.030 | 1/8" | 3 | 0 5 | 4.6 | ✓ | 0,51 |
| | A5079.01.018 | 1/4" | 1.8 | 0 12 | 1.6 | ✓ | 0,5 |
| | A5079.01.025 | 1/4" | 2.5 | 0 10 | 3.2 | ✓ | 0,5 |
| | A5079.01.30 | 1/4" | 3 | 0 5 | 4.6 | ✓ | 0,5 |